

Specification

customer : _____

Product name : _____ SKD Assemble Outdoor Lamps

Product Model : _____ TS-BJX

Product features

The entire luminaire adopts powder coating technology, delivering a bright finish that resists fading and corrosion over time, making it ideal for harsh outdoor environments.

Featuring a professional thermal management system with internal and external ventilation channels, it significantly enhances heat dissipation and extends the overall lifespan of the light.

Equipped with screw-fastened installation and multiple adjustable bracket points, it allows for at least 315° of flexibility, enabling versatile beam angle adjustments to suit various lighting needs.

product appearance

One module



Two modules



There modules



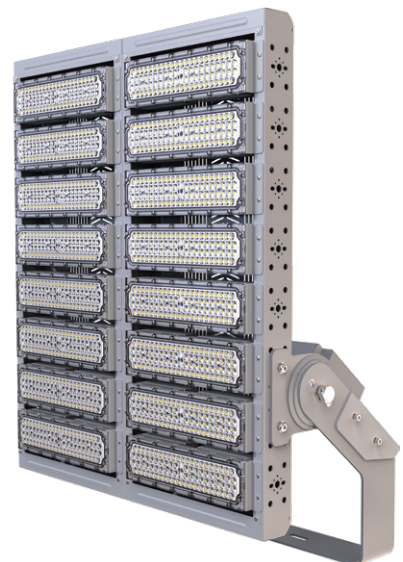
Six modules



Twelve modules

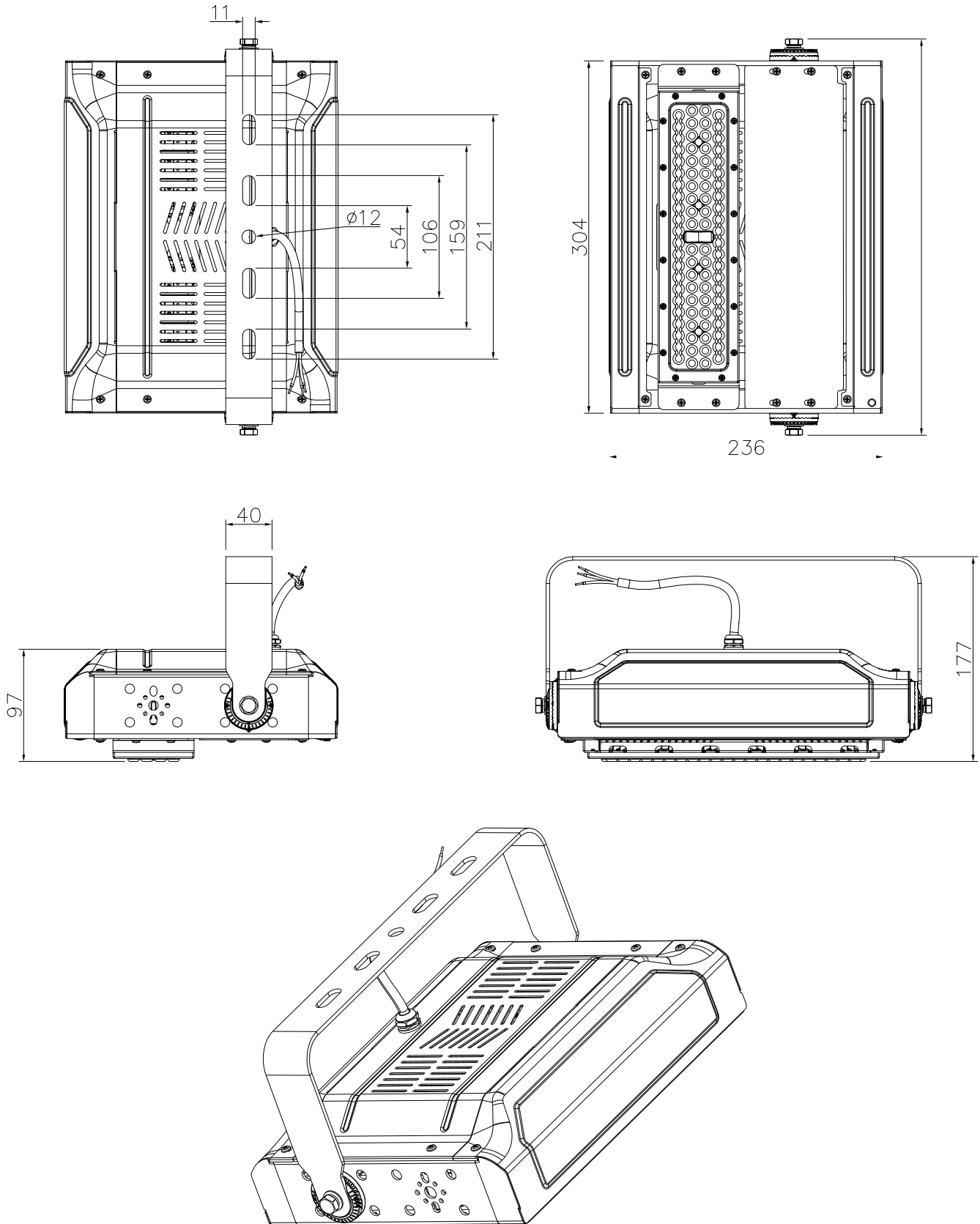


Six modules



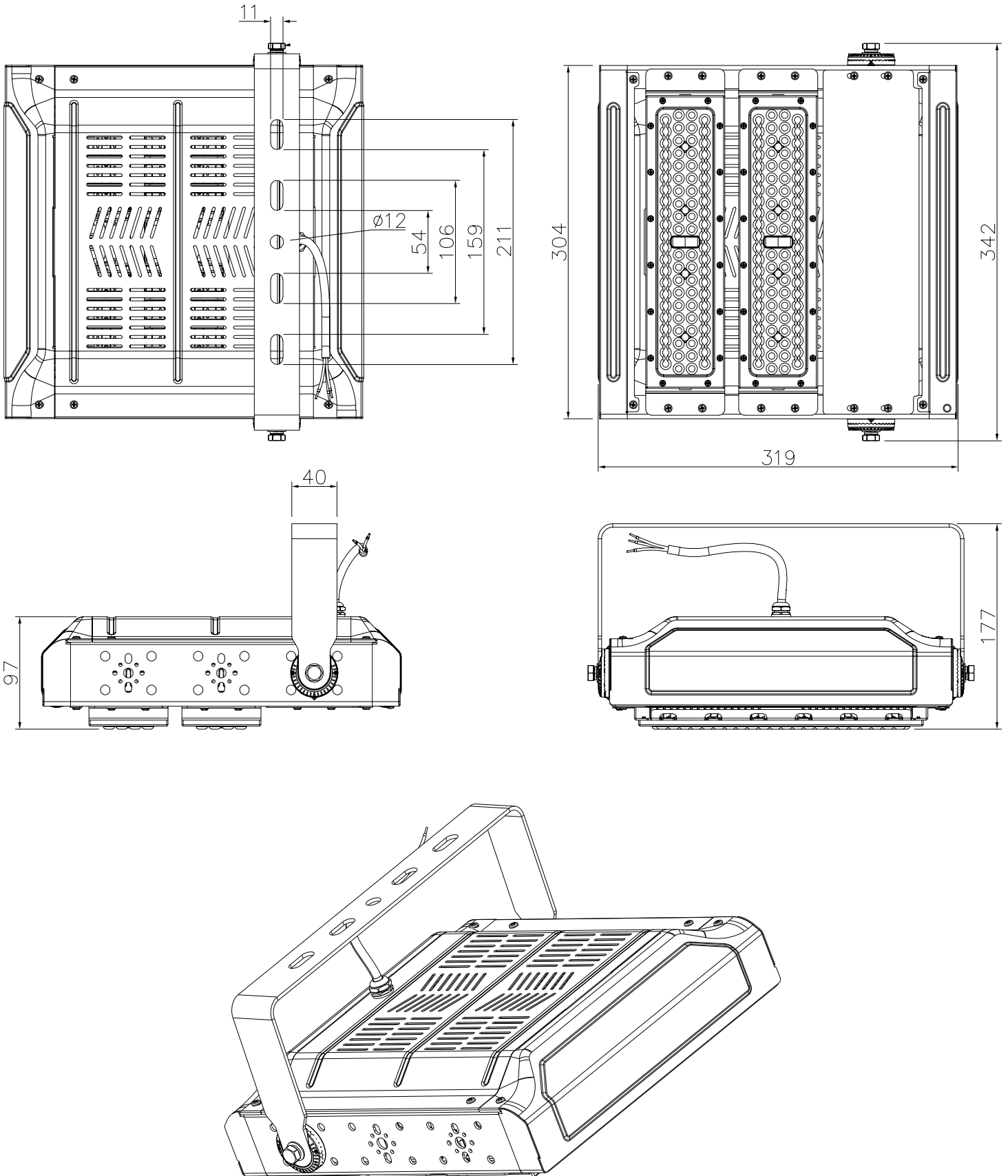
Specifications and Dimensions

One module/TS-BJX-0100-N01S



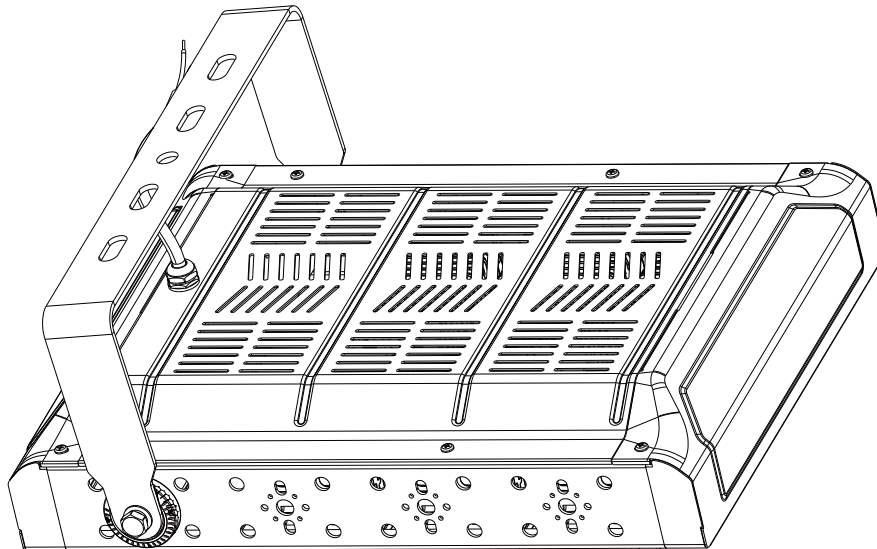
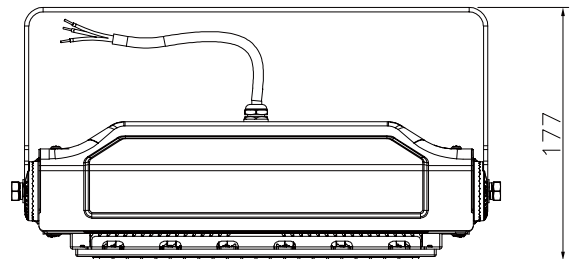
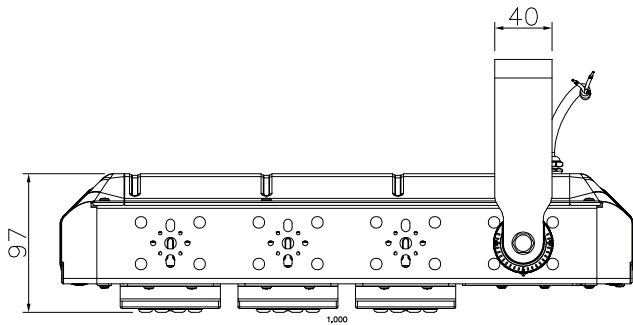
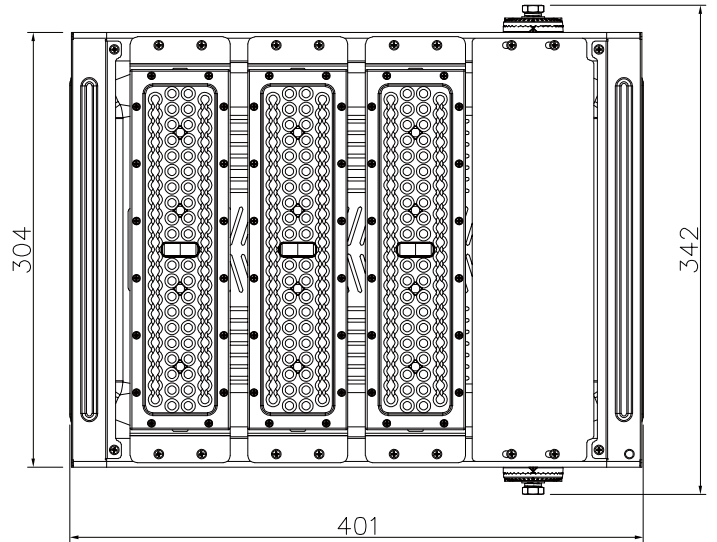
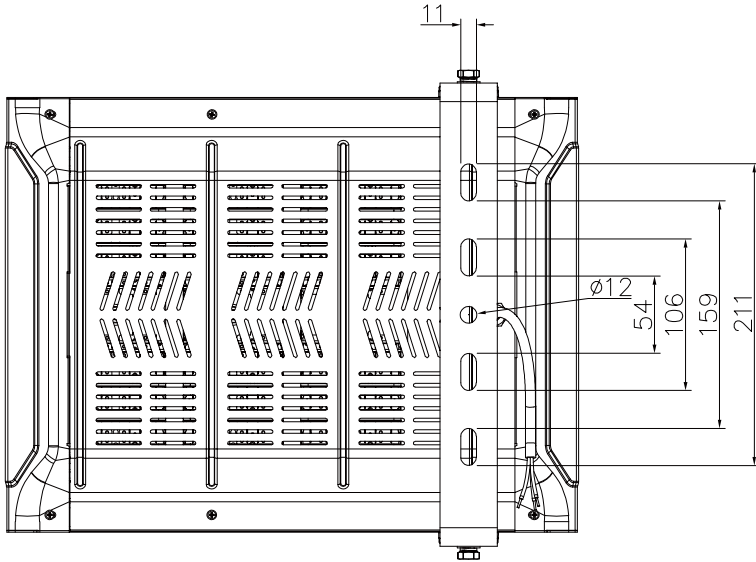
Specifications and Dimensions

Two modules/TS-BJX-0150-N01S/TS-BJX-0200-N0S



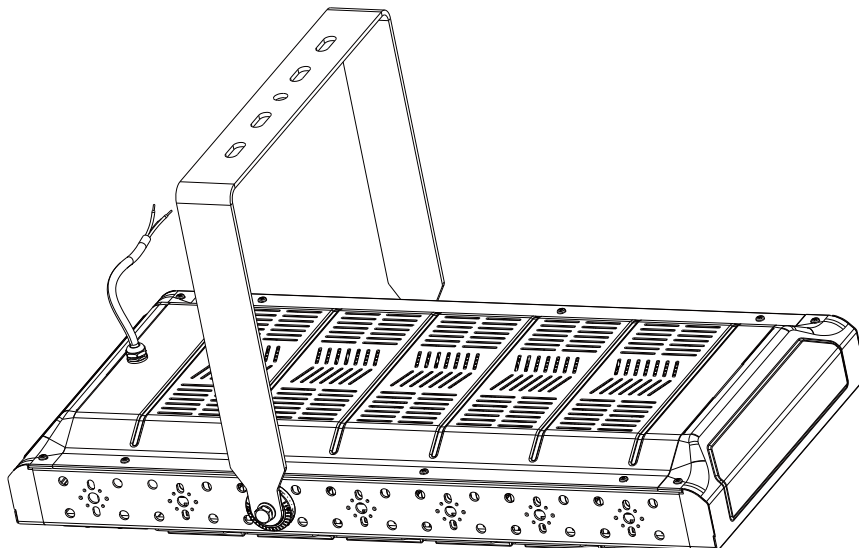
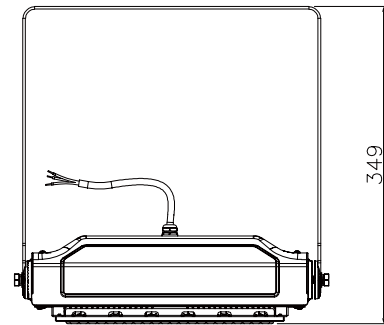
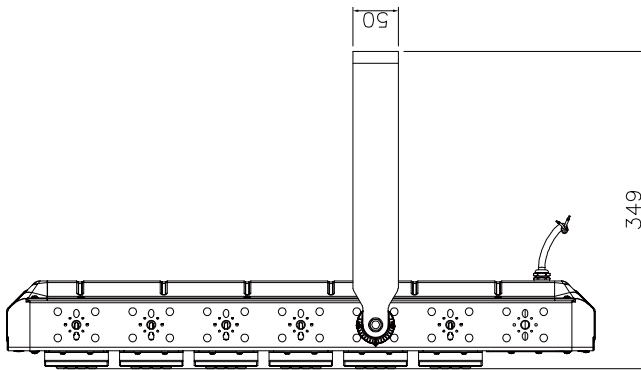
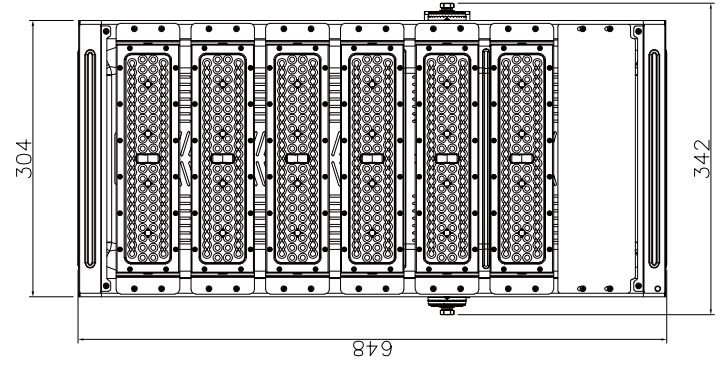
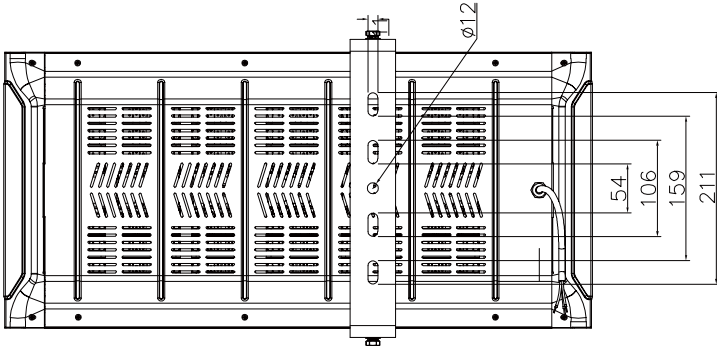
Specifications and Dimensions

Two modules/TS-BJX-0300-N01S



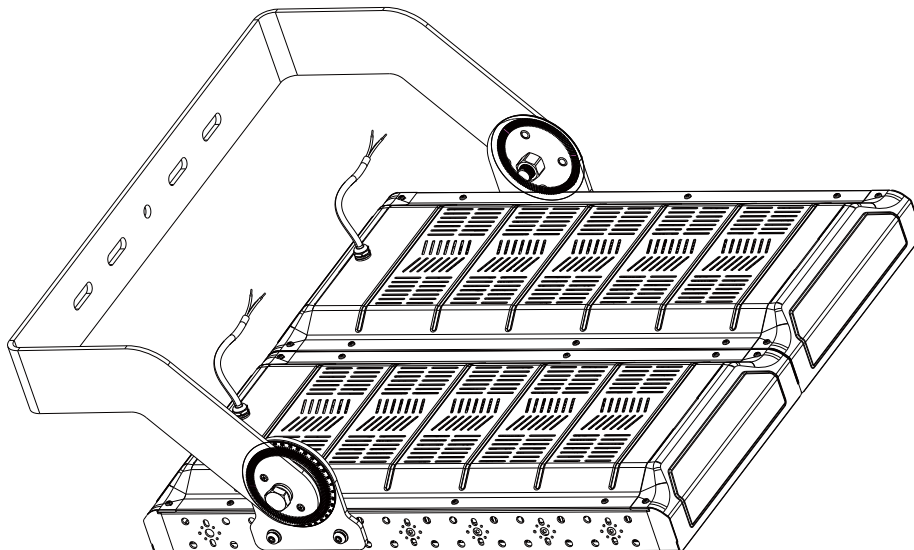
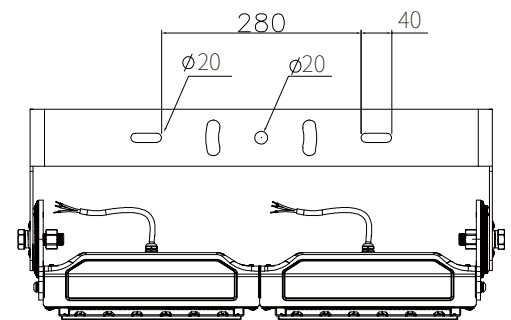
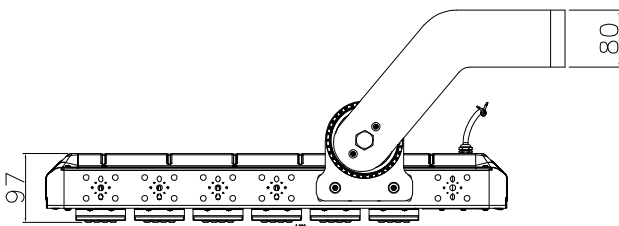
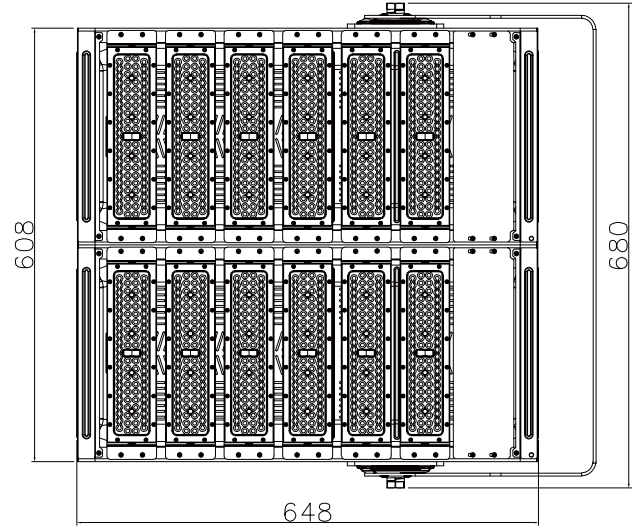
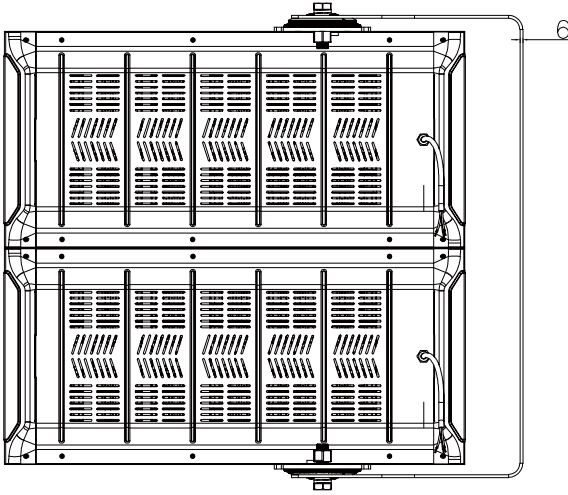
Specifications and Dimensions

Six modules/TS-BJX-0500-N01S



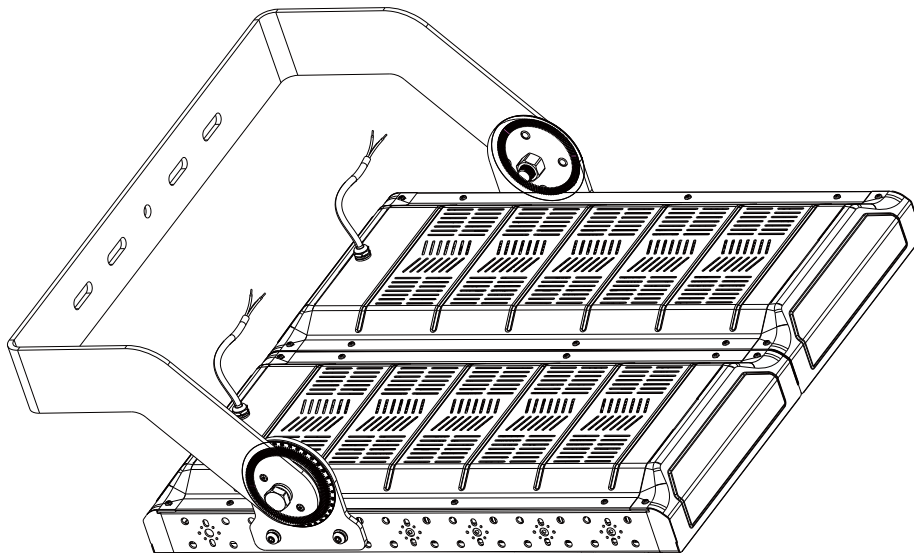
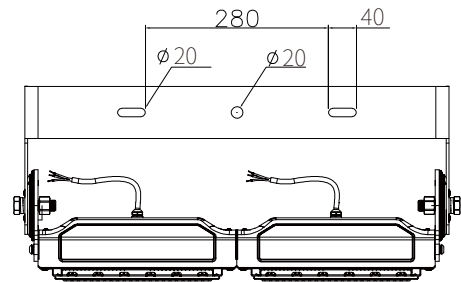
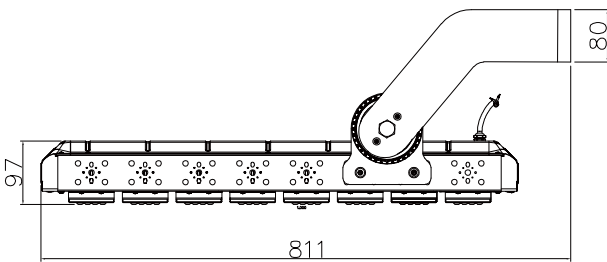
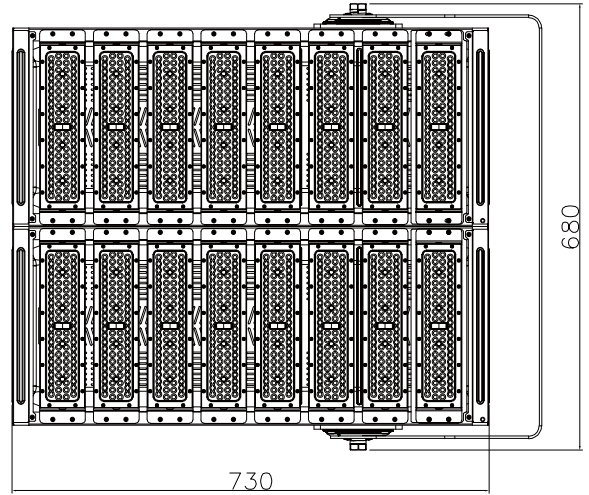
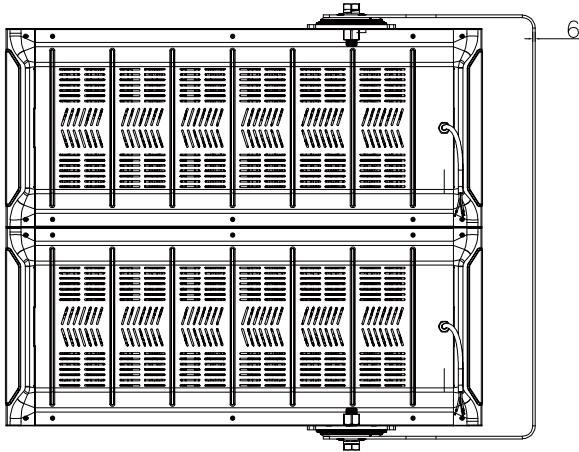
Specifications and Dimensions

Twelve modules/TS-BJX-1000-N01S



Specifications and Dimensions

Sixteen modules/TS-BJX-1500-N01S



Product Parameters

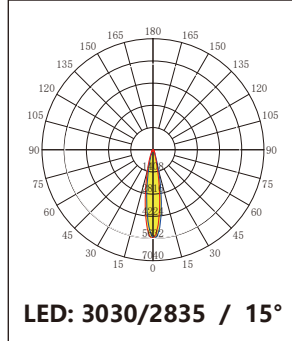
Model	TS-BJX-0100 -N01S	TS-BJX-0150 -N01S	TS-BJX-0200 -N01S	TS-BJX-0300 -N01S	TS-BJX-0500 -N01S	TS-BJX-1000 -N01S	TS-BJX-1500 -N01S
Power	100W	150W	200W	300W	500W	1000W	1500W
LED Specifications	2835/3030/This LED module adopts the 84-in-1 packaging technology						
CCT	3000K/4000K/5000K/5700K						
lens angle	15°、25°、45°、60°、90°、30x70°						
Luminous flux (± 5%)	15000lm	22500lm	30000lm	45000lm	75000lm	150000lm	225000lm
Efficiency	150lm/W						
CRI	>80						
Input voltage	120-277V						
Input frequency	50/60Hz						
Power factor	>0.90						
Total Harmonic Distortion	<15%						
Power Efficiency	≥93%						
Surge Protection Ratin	6KV line to line/6KV line to ground						
Work temperature	-35-+50°						
Operating Humidity	10-90%RH						
IP Grade	IP65						
Main material	Aluminum alloy/iron						
Exterior Color	Silvery						
Net weight ± 5%	2.5KG	3.0KG	3.5KG	6.0KG	18KG	20KG	

Outdoor lens angle

Lens angl:
252×70×6.6mm



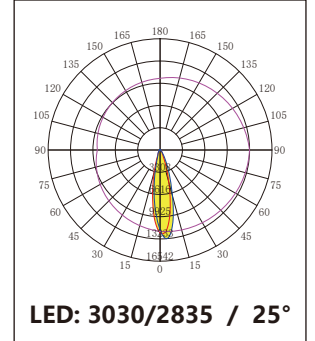
Угол линзы15°



Lens angl:
252×70×6.6mm



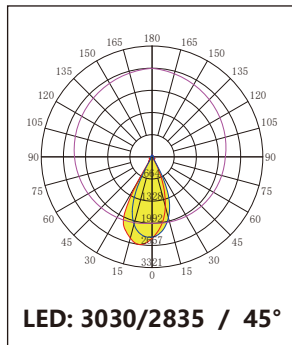
Lens angl 25°



Lens angl:
252×70×6.6mm



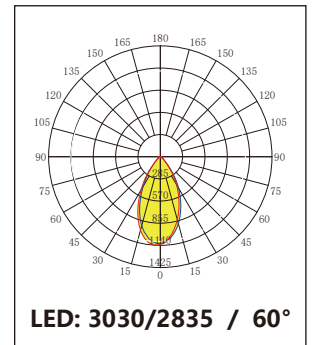
Lens angl 45°



Lens angl:
252×70×6.6mm



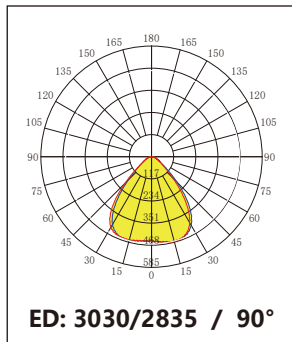
Lens angl 60°



Lens angl:
252×70×6.6mm



Lens angl 90°



Lens angl:
252×70×6.6mm



Lens angl 30*70°

