



Specification

customer : _____

Product name : _____ Uranus Floodlight _____

Product Model : _____ TG-TWX _____

Product features

Available in five models: 30W, 50W, 100W, 150W, and 200W.

Compared with traditional floodlights, it provides higher energy efficiency.

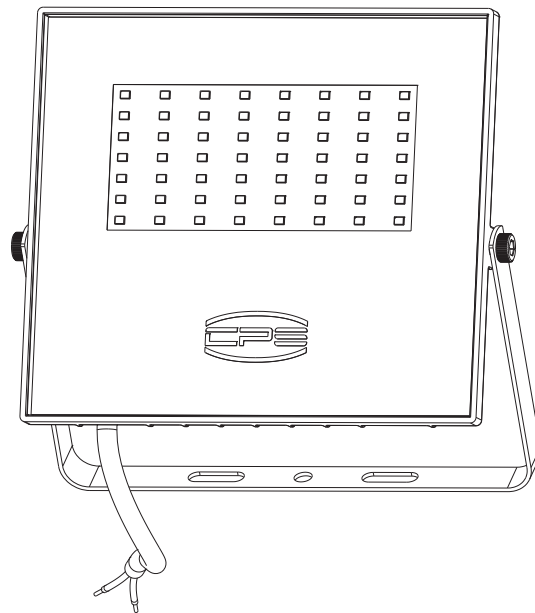
Robust Design

Free of hazardous substances

Long service life, low maintenance, and high return on investment (ROI).

Compact housing with optimized heat dissipation and minimized dust accumulation.

product appearance

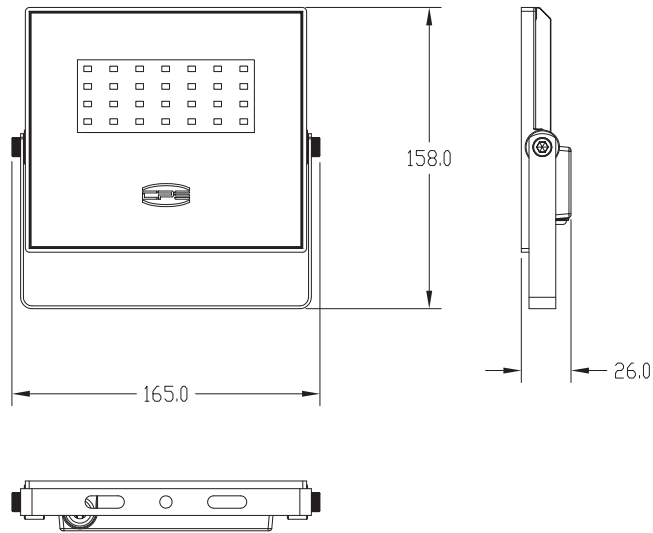


Widely suitable for various lighting scenarios including industrial plants, construction sites, building exteriors, parks, bridges, sculptures, billboards, and more.

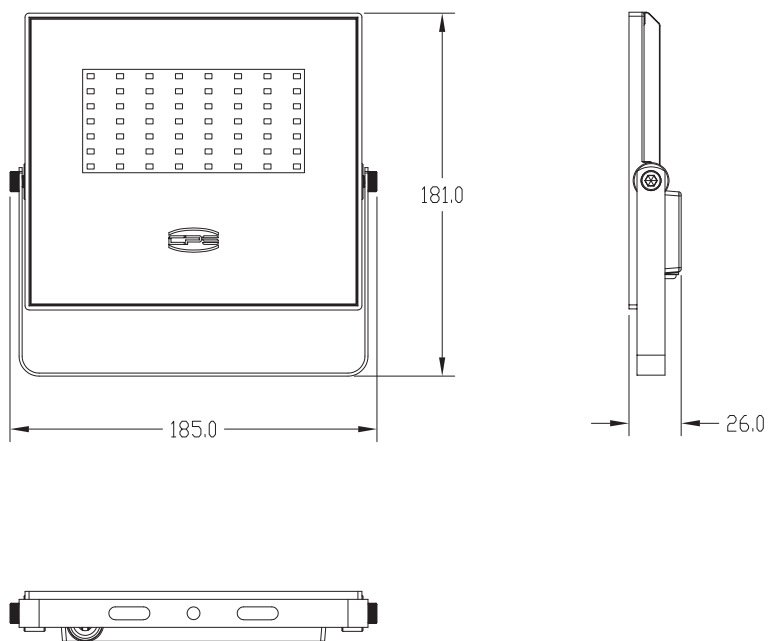


Specifications and Dimensions

30W

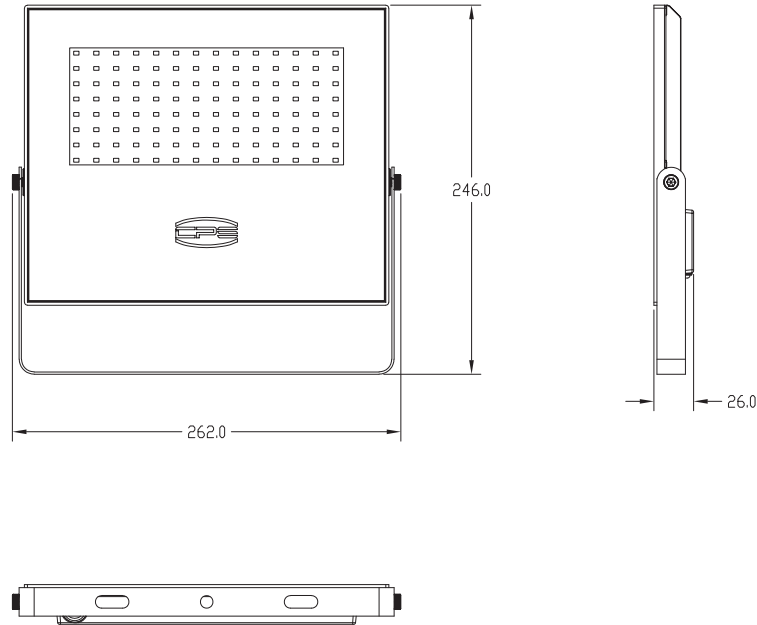


50W

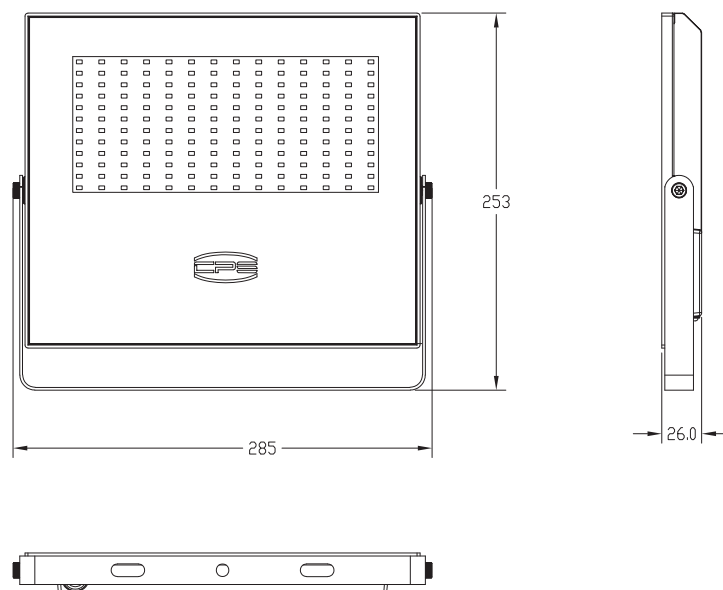


Specifications and Dimensions

100W

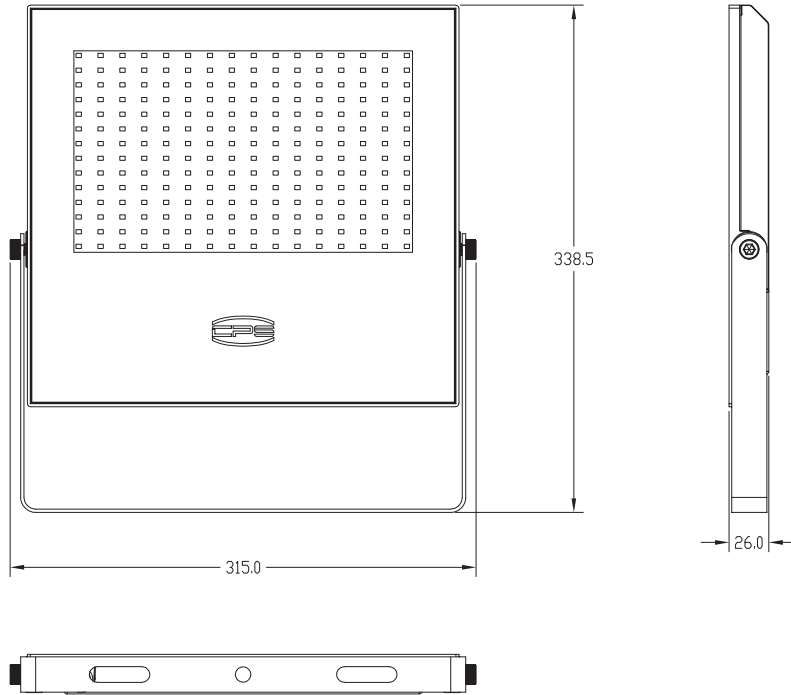


150W



Specifications and Dimensions

200W



Product Parameters

Model	TG-TWX-0030-N01B	TG-TWX-0050-N01B	TG-TWX-0100-N01B
Power	30W	50W	100W
LED Specifications	SMD2835		
CCT	Warm White / Cool White		
lens angle	120°		
Luminous flux (± 5%)	3900lm	6500lm	13000lm
Efficiency (± 5%)	130lm/W		
CRI	Ra>80		
Input voltage	220V ~ 50/60Hz		
Power Factor (at Full Load)	>0.95		
Electrical Category	Class I		
Surge Protection Ratio	3kV Line-to-Line / 3kV Line-to-Ground		
Power Supply Type	Constant Current Power Supply		
Withstand Voltage	1.5KV 60S 10mA		
Power Supply Efficiency	≥90%	≥90%	≥93%
Start-up Time	≤2S		
Recommended Mounting Height	4m-6m	5m-7m	6m-9m
Color Tolerance	≤7		
Upward Light Output Ratio (ULOR)	0%		

※For fixed Class I luminaires, the overvoltage protective device shall disconnect the circuit in accordance with IEC 61643-11.

※The switch shall break the L wire or both L and N wires

※Ra tolerance: ±2

Product Parameters

Model	TG-TWX-0150-N01B	TG-TWX-0200-N01B
Power	150W	200W
LED Specifications	SMD2835	
CCT	Warm White / Cool White	
lens angle	120°	
Luminous flux (± 5%)	19500lm	26000lm
Efficiency (± 5%)	130lm/W	
CRI	Ra > 80	
Input voltage	220V ~ 50/60Hz	
Power Factor (at Full Load)	> 0.95	
Electrical Category	Class I	
Surge Protection Ratio	3kV Line-to-Line / 3kV Line-to-Ground	
Power Supply Type	Constant Current Power Supply	
Withstand Voltage	1.5KV 60S 10mA	
Power Supply Efficiency	≥ 93%	
Start-up Time	≤ 2S	
Recommended Mounting Height	8m-12m	9m-13m
Color Tolerance	≤ 7	
Upward Light Output Ratio (ULOR)	0%	

※For fixed Class I luminaires, the overvoltage protective device shall disconnect the circuit in accordance with IEC 61643-11.

※The switch shall break the L wire or both L and N wires

※Ra tolerance: ±2

Product Parameters

Model	TG-TWX-0030-N01B	TG-TWX-0050-N01B	TG-TWX-0100-N01B
Power	30W	50W	100W
Operating Humidity	10-90%RH		
Installation Method	Bracket		
Housing	Aluminum		
Surface Treatment	Powder Coating		
Color	Black		
IP Grade	IP65		
Includes Power Supply	Yes		
Outer Packing Dimensions	L400×W365×H330	L500×W405×H205	L390×W285×H240
Quantity (Cartons)	48	30	12
Volume per Carton	0.0482m ³	0.0415m ³	0.0267m ³
Net Weight	475g	600g	1200g
Gross Weight			
20ft Container			
40ft HC			

※Performance data for all models are tested based on 230V AC.

※Power consumption tolerance is ±5% (applicable to all models).

※Luminous Efficacy Tolerance: ±5% (applicable to all models).

Product Parameters

Model	TG-TWX-0150-N01B	TG-TWX-0200-N01B
Power	150W	200W
Operating Humidity	10-90%RH	
Installation Method	Bracket	
Housing	Aluminum	
Surface Treatment	Powder Coating	
Color	Black	
IP Grade	IP65	
Includes Power Supply	Yes	
Outer Packing Dimensions	L270×W305×H275	L270×W335×H325
Quantity (Cartons)	8	8
Volume per Carton	0.0227m ³	0.0294m ³
Net Weight	1650g	2220g
Gross Weight		
20ft Container		
40ft HC		

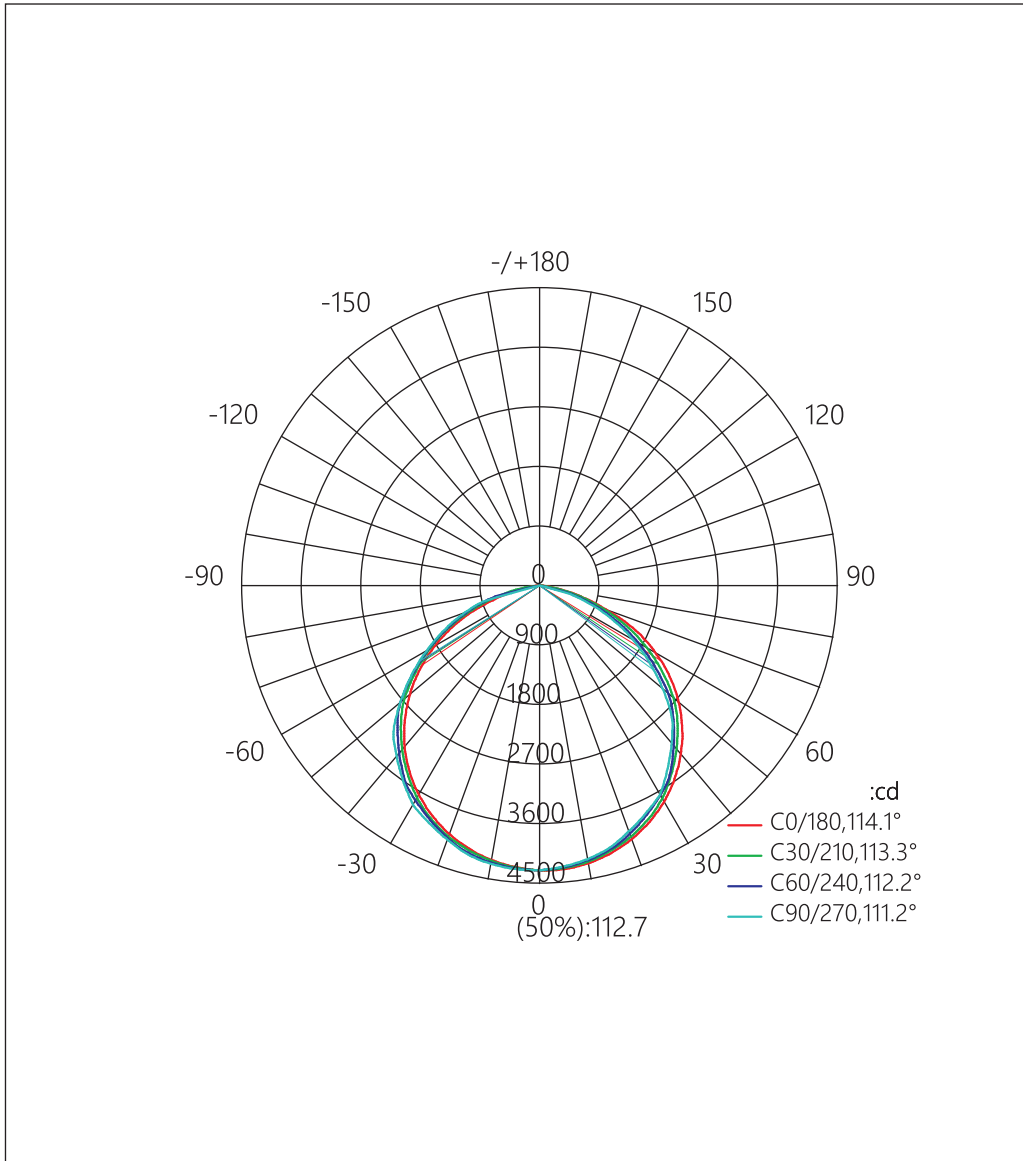
※Performance data for all models are tested based on 230V AC.

※Power consumption tolerance is ±5% (applicable to all models).

※Luminous Efficacy Tolerance: ±5% (applicable to all models).

Outdoor lens angle

30W/50W/100W/150W/200W - 120°



Precautions

1. This product must be installed by a qualified electrician. Please read all instructions carefully before installation.
2. Operate the luminaire strictly within the specified supply voltage and current range. Failure to do so may cause permanent damage to the product.
3. Wiring: All connections must be properly connected and securely fastened. Due to vibration during transportation, screws may become loose. Prior to illumination, thoroughly inspect all terminal screws of internal wiring.
4. Type Z Connection: If the external flexible cable or cord of the luminaire is damaged, it shall be replaced by the manufacturer or a qualified engineer holding professional certification.
5. Grounding: The luminaire shall be properly grounded.
6. Operating Environment: The luminaire must be used under normal environmental conditions. Operation outside the specified limits will not only cause malfunction but may also lead to potential safety hazards.
7. Maintenance, Installation and Replacement: Before performing any maintenance, installation or replacement, ensure the power supply is disconnected. Verify the luminaire is correctly installed before restoring power. Use of this luminaire must not violate any fire protection codes.
8. Installation and Operation
 - (1) Avoid rough handling during installation. Never lift or move the luminaire by pulling its input cables, as this may cause falling and/or structural damage.
 - (2) Ensure the incoming cables comply with the specified diameter range and possess temperature-resistant and flame-retardant properties.
 - (3) During normal operation, the luminaire poses no risk of toxic or hazardous substance leakage. In case of accidental damage or end-of-life disposal, handle according to local environmental regulations.

Warning

Installation

