



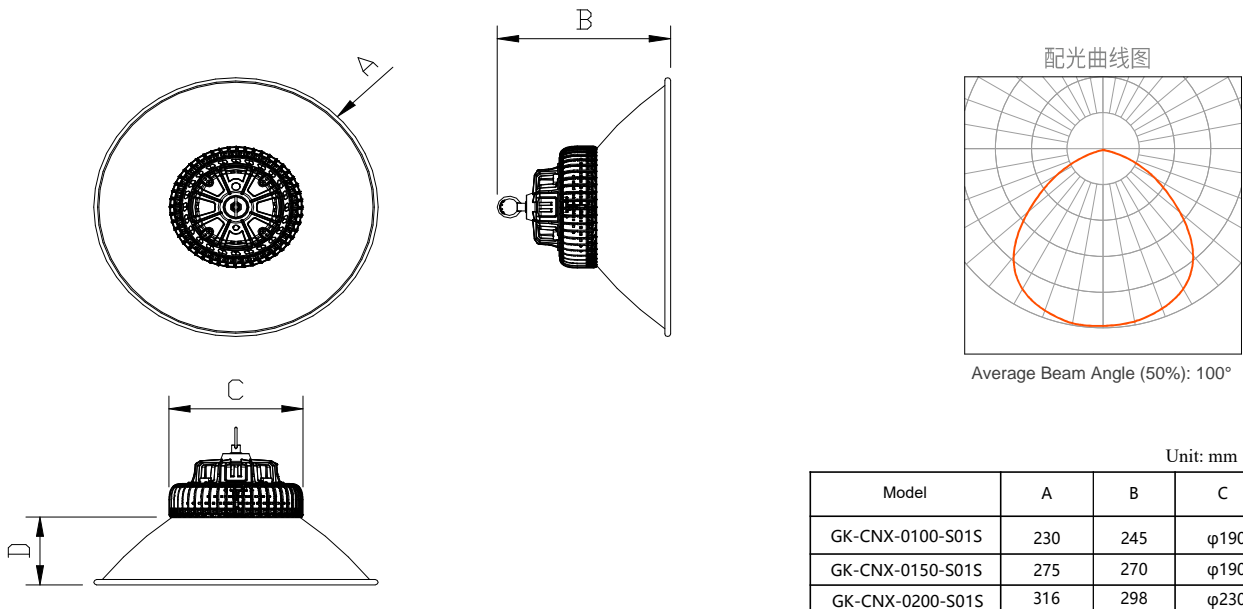
Gaia S High Bay Light



Product Parameter

Model	Power	Input voltage	Luminous Flux	CCT	LED lightbulb	CRI	Angle
GK-CN-X-0100-S01S	100W±10%	222-240VAC	85Lm/W±10%	6000K	2835	Ra>80	100°
GK-CN-X-0150-S01S	150W±10%	222-240VAC	85Lm/W±10%	6000K	2835	Ra>80	100°
GK-CN-X-0200-S01S	200W±10%	222-240VAC	85Lm/W±10%	6000K	2835	Ra>80	100°

Size of product



Packaging Information

Model	Carton size	Quantity per box	Volume	Net total of products
GK-CN-X-0100-S01S	620*415*345mm (L*W*H)	12pcs/ctn	0.089m ³	/
GK-CN-X-0150-S01S	620*415*405mm (L*W*H)	12pcs/ctn	0.105m ³	/
GK-CN-X-0200-S01S	500*500*420mm (L*W*H)	8pcs/ctn	0.105m ³	/