



Specification

Company Name: _____

Product Name: Uranus High Bay Light

Product Model: GK-TWX

Product Features

1. Power options available: 100 – 200 W;
2. Power supplies are available to meet various project requirements.
3. The product design employs an integrated molding process, featuring a simple and sleek appearance.
4. Compared to traditional industrial/mining lamps, it offers superior energy efficiency and exceptional visual comfort.
5. No harmful substances;
6. Long service life, low maintenance requirements, and high return on investment; available in various specifications to suit different applications.

Product Appearance



Application



store-house



Workshop



Supermarket and shopping mall

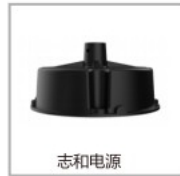


Indoor Stadium

Specifications and Dimensions(mm)

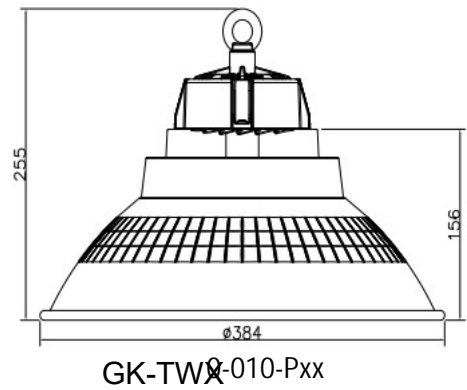
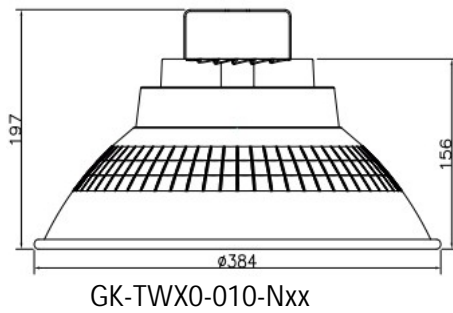
Optional Specifications

Source
Space between holes: 113 mm

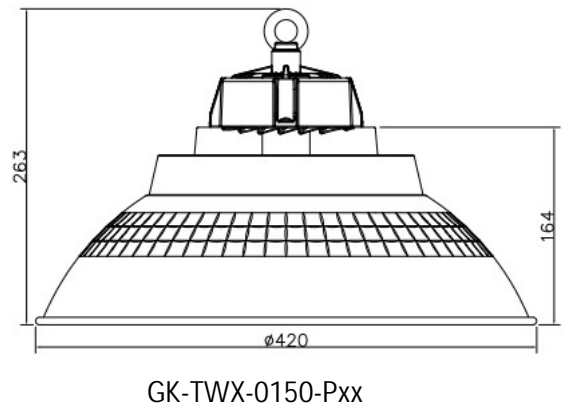
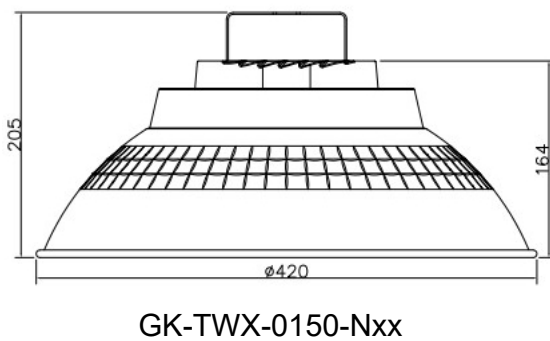


Dimensional drawing

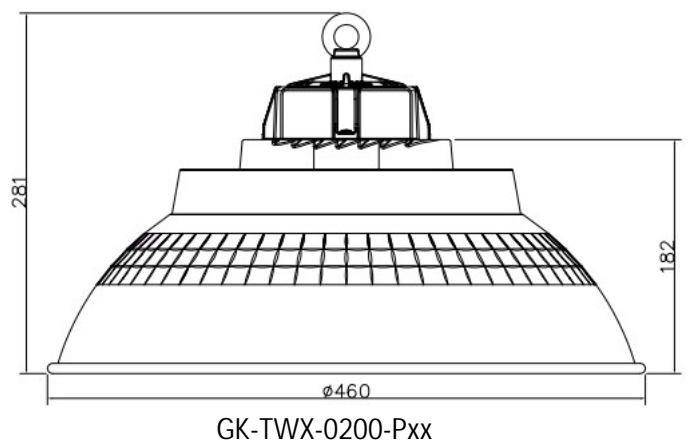
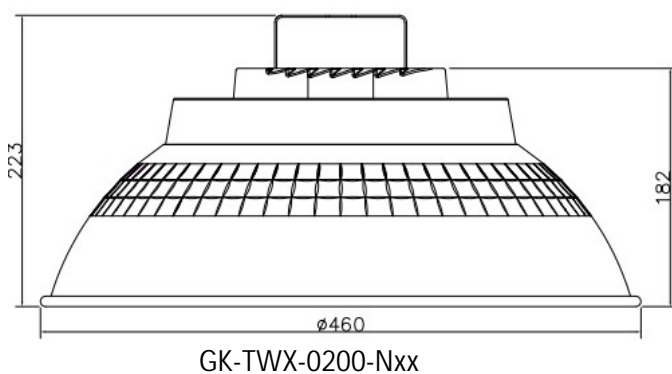
100W



150W



200W



Product Parameters

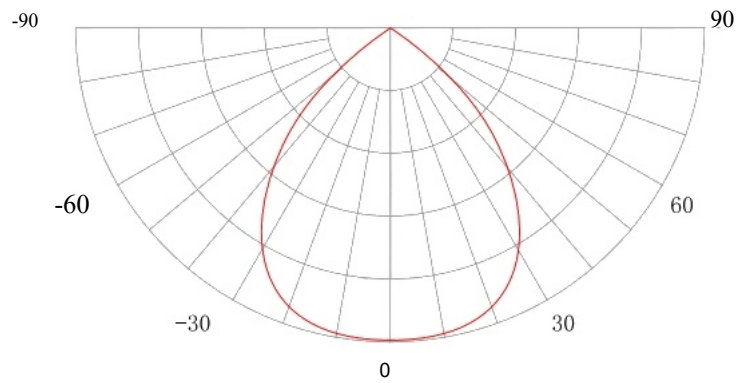
Productmodel	GK-TWX-010-Nxx	GK-TWX-0150-Nxx	GK-TWX-0200-Nxx	GK-TWX-0100-Pxx	GK-TWX-0150-Pxx	GK-TWX-0200-Pxx
Powerrating	100W	150W	200W	100W	150W	200W
LEDspecifications	SMD2835					
Colour temperature	3000K/4000K/5000K/6500K					
Grading	70°/80°					
Light flux(±5%)	15000lm	22500lm	30000lm	15000lm	22500lm	30000lm
Light Efficiency(±5%)	150lm/W					
Color rendering index	Ra>80					
Rated voltage	AC220-240V 50/60Hz					
Power Factor	0.95					
Electrical Category	Class I					
Lightning Protection Level	Built-in power supply: 3/3kV			External power supply:4/6 KV		
Power SourceType	Constant-current power supply					
With stand voltage	1.5KV 60S 10mA					
Power Efficiency	≥93%					
Start time	≤0.2S					
Recommended installation height	4mto12m					
Color tolerance	≤6					
Output Ratio to Top	2%					
Working temperature	-20°Cto+40°C					
Working Humidity	10-90%RH					
Way to install	Lifting/Support installation					

Product Parameters

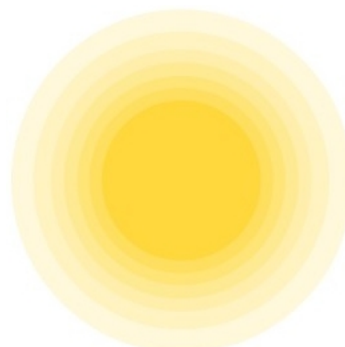
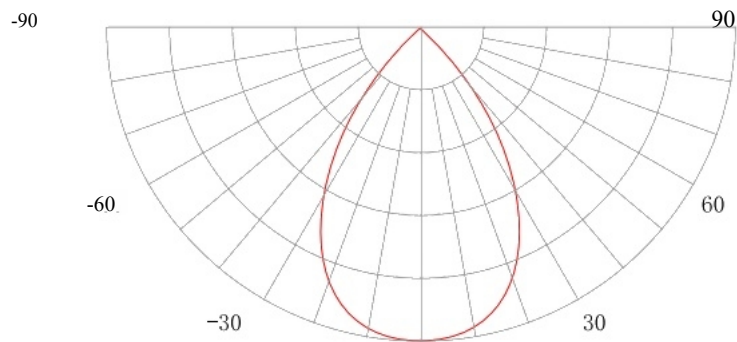
Productmodel	GK-TWX-0100-Nxx	GK-TWX-0150-Nxx	GK-TWX-0200-Nxx	GK-TWX-0100-Pxx	GK-TWX-0150-Pxx	GK-TWX-0200-Pxx
Electro magnetic compatibility	EN55015:2019/A11:2020,EN610003-2:2019.EN61000--3:2013.EN61547:2009,EN62493:2015					
Total harmonic distortion	<20%					
Radiator	Alufer					
Lens	PC					
Lenshood	Aluminium					
Surfacepreparation	Oxidize					
Pigment	Silver+Black					
IPlevelsofprotection	IP20					
Does it include power supply?	Yes					
Has it obtained CE certification?	Yes					
Has it obtained RoHS certification?	Yes					
Has it obtained CCC certification?	Yes					
Safety	Open-circuit protection+Short-circuit protection+Over load protection					
External packaging dimensions(mm)	L485*W420* H430	L490*W455* H460	L500*W495* H500	L545*W545* H555	L555*W555* H565	L625*W625* H635
Quantity(boxes)(CS/CTN)	5	5	5	6	6	6
Volume(box)(m)	0.0129	0.0163	0.0227	0.0129	0.0163	0.0227
Net Weight(Box)(kg)	1.4	2.0	2.6			
Roughweight (kg)						
20-foot small cabinet(pieces)	338	317	192	160	160	81
40-foot high cabinets(pieces)	684	634	384	352	336	171

Light Distribution Curve Light Distribution Diagram

100W--80°



150/200W--70°



Precautions

1. Installation Requirement: Only certified electricians may install this luminaire. Read all instructions fully before installation.
2. Power Specification: Operate only with designated voltage and current. Improper power input will permanently damage the fixture.
3. Wiring Check: Wire strictly per specifications and fasten all terminals tightly. Vibration during transit may loosen screws; fully inspect all wiring terminals before powering on.
4. Z-Type Cable Replacement Rule: If the luminaire 's external flexible cable gets damaged, only the manufacturer or certified technician can replace it.
5. Grounding Mandate: Complete proper grounding for the luminaire.
6. Operating Environment Limits: Use the luminaire within rated environmental conditions. Operation beyond allowable ranges leads to malfunction and safety hazards.
7. Safety Precaution for Service & Installation: Cut off power before installing, replacing or servicing the fixture. Do not power on until installation is fully finished. This luminaire shall be used in compliance with all fire safety codes.
8. Handling & Usage Rules
 - (1) Handle and install gently. Never lift the luminaire by its power cord to avoid drop or mechanical damage.
 - (2) Confirm cable gland size range, heat resistance and flame retardant performance.
 - (3) No toxic or hazardous substances leak under normal operation. Dispose of damaged or end-of-life luminaires following local environmental laws.

Special Note Warning

Unauthorized disassembly of the LED luminaire or removal of screws on the LED light source is forbidden. Such actions will degrade heat dissipation, shorten LED service life and may burn out the light source. Stop using the luminaire if its lens, housing or power cable is damaged.