



Specification

Customer: _____

Product Name: Hulk-E-3rd Solar Street Light

Product Model: CP-SL-0035/0055/0080/0125-E02S

Product features

- Four power options available;
- Light source efficacy ≥ 210 lm/W for enhanced energy efficiency;
- Equipped with a master power switch that disconnects the entire lamp's power supply at the battery end, extending transportation and storage longevity;
- The luminaire controller features a receiver window, supporting optional wireless remote control with extended range;
- Utilizes new 32135 battery cells with fewer parallel connections, lower internal resistance, higher energy density, and reduced overall weight;
- Specialized road lighting optics;
- Free of hazardous substances;
- Long service life, minimal maintenance, and high return on investment.

Product appearance



Suitable Applications



Parking Lots



Parks and Green Spaces



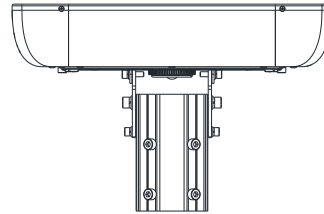
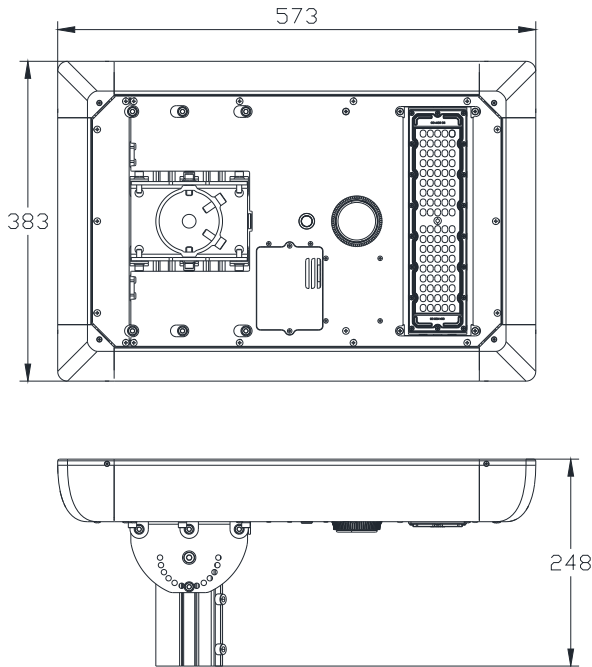
Residential and
Courtyard Landscaping



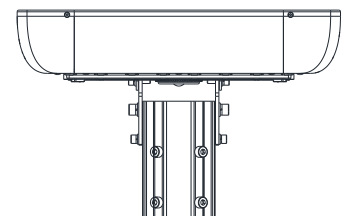
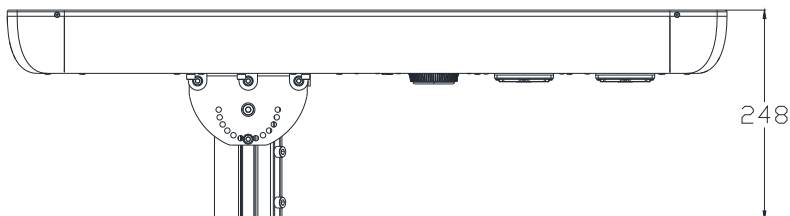
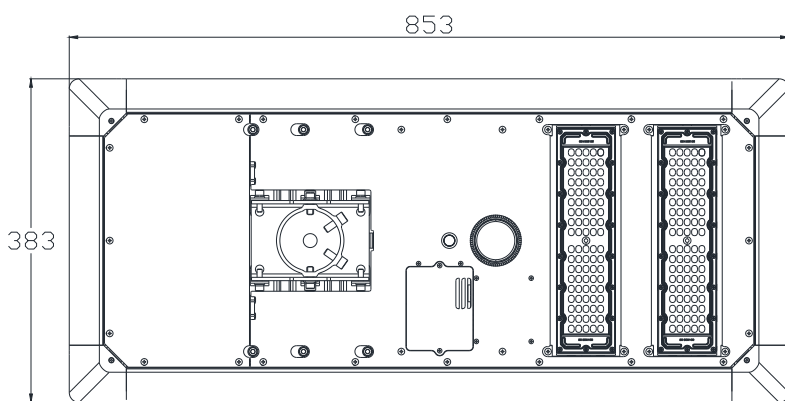
Municipal Roads

Specifications and Dimensions

CP-SL01-0035-E02S

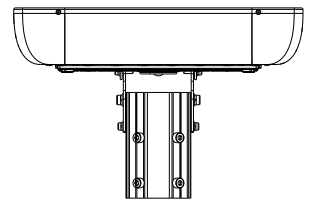
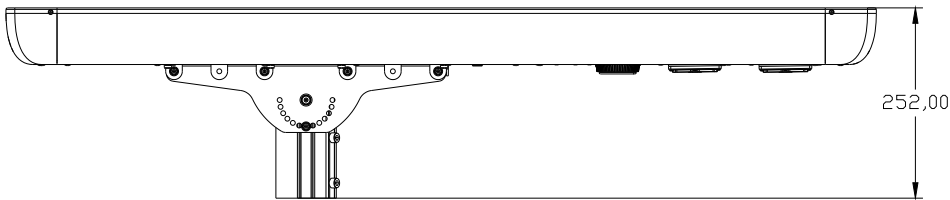
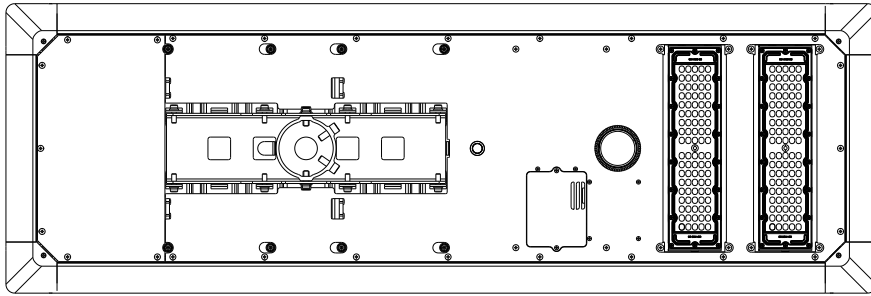


CP-SL01-0055-E02S

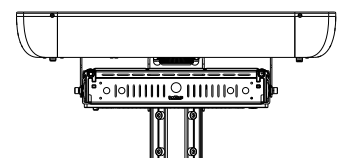
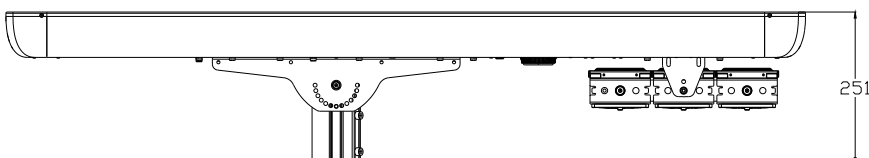
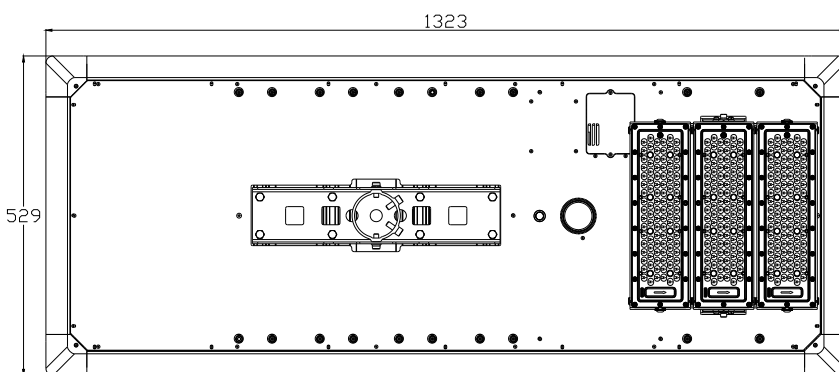


Specifications and Dimensions

CP-SL01-0080-E02S



CP-SL01-0125-E02S



Compatible with
φ70 Lamp Arm

Product Parameters

Fixtures Basic Description	Product code	CP-SL01-0125-E02S	CP-SL01-0080-E02S	CP-SL01-0055-E02S	CP-SL01-0035-E02S
	Product Name	Solar street light			
	LED Brand & Model	2835			
	LED chip working current(A)	0.1102	0.1326	0.0940	0.1105
	LED Qty.(PCS)	96×3	84×2	84×2	84
	Circuit diagram	6P16S×3	12P7S×2	12P7S×2	12P7S
	Rated Power(W)	89.43 (Light source power 85.7W)	60.8 (Light source power 57.2W)	43.2 (Light source power 40.5W)	25.4 (Light source power 23.8W)
	Luminous flux(lm)	18000	12000	8500	5000
	Efficiency((lm/w)	210±10			
	Lens angle(°)	120°*80°	140°*75°	140°*75°	140°*75°
	CRI(Ra)	≥70			
	CCT(K)	3000K、4000K、5700K			
	IP	IP65			
	IK	IK08(IK05 Rating)			
	Discharging time @Rated power	8.1 Hours at Full Power	7.6 Hours at Full Power	8.5 Hours at Full Power	7.3 Hours at Full Power
	SDCM	≤5			
	Solar Panel	Solar panel type	Monocrystalline Panel		
Solar cell		125W	80W	55W	35W
Power @1000W/m2(W)		125	80	55	35
Voltage at Pmax/Pmin(V)		34.5	18	14	12
Operate Current @Pmax/Pmin(A)		3.62	4.44	3.92	2.91
Size(mm)		1300*505*4.5	1130*360*4.5	830*360*4.5	550*360*4.5
Work Temperature		-40℃、+85℃			
Battery Pack	Battery Type	8S2P-25.6V-30Ah	2S5P-6.4V-75Ah	2S4P-6.4V-60Ah	1S4P-3.2V-60Ah
	Certification Mark	IEC 62619 Certification (for Cells) IEC 62133 Certification (for Cells) BIS Certification (for Cells)			
	Capacity(±5%)	768	480	384	192
	Voltage(V)	25.6	6.4	6.4	3.2
	Over-temperature Protect Temperature	65±5℃			
	Cell Cycle Life	2500次			
	Working Temperature	Charging: 0℃ to +55℃ Discharging: -20℃ to +60℃			
Short circuit protection	Have				
Controller	Control Board	MES120-W	SR-DMS40	SR-DMS40	SR-DMS40
	Charging Method	MPPT			
	Discharging Method	Time-scheduled microwave sensing-based power output (presence/absence)			
	Short Protect	Load Short-Circuit Protection			
	Overtemperature Protect Temperature	65℃			

Product Parameters

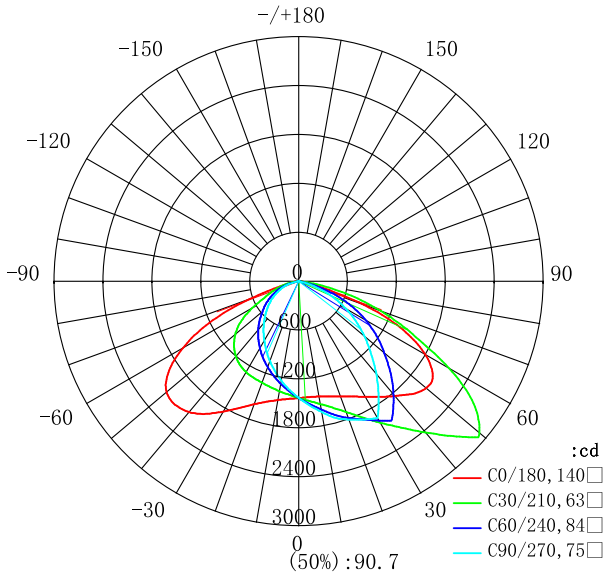
Sensor	Product code	CP-SL01-0125-E02S	CP-SL01-0080-E02S	CP-SL01-0055-E02S	CP-SL01-0035-E02S
	Sensor Mode	Load Short-Circuit Protection			
	Sensor Range @Max installdation Height	10m			
	Sensor Range @Min installation Height	4m			
	Certification Mark	CE、RoHS			
Remote	Control distance(m)	15m			
Housing	Housing parameters	Aluminum (Partial Iron Components)			
	Housing Color	PANTONE 877U(Silver Gray / White Aluminum Gray)			
Optical part	Lens Material	PC			
Installation	Type of mounting	Arm Mounting			
	Installation Height	8-10m	8-10m	6-8m	4-6m
Product Size	Length(mm)	1323	1153	853	573
	Width(mm)	529	383	383	383
	Height(mm)	162	95	95	95
Product Weight	Net Weight (kg)	25.3	15.8	12.4	8.8
	Gross Weight (kg)	29.58	18.68	14.81	10.785
Life	Life time(Hrs)	25000hrs			
	Ambient Temperature and working temperature	0°C、+45°C			
	Cell cycle life @rated Ta Max	2500times			
	Storage Lifetime	Charging Required Every 8 Months			
	Activating Methods after storage lifetime	Activates After 18 Seconds of Light Exposure			
	Warranty(year)	3			
Packaging	Outer carton size(mm)	1410*615*245	1415*460*170	1115*460*170	835*460*170

※ Performance data for all models are tested based on 4000K.

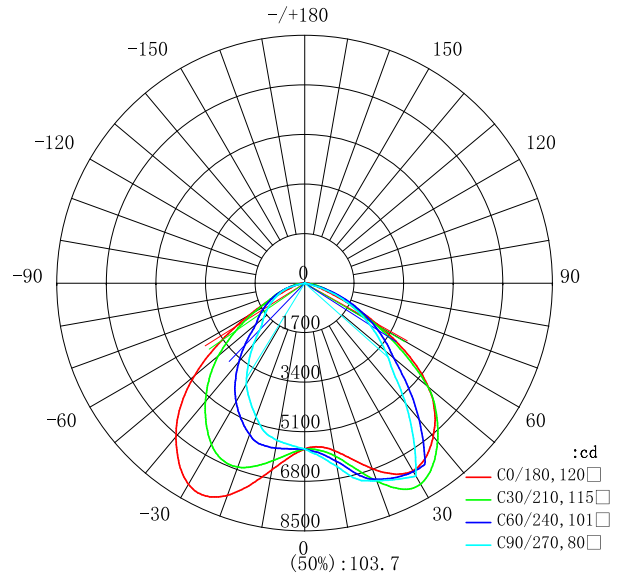
※ Power consumption tolerance: $\pm 5\%$ (applicable to all models).

※ Luminous efficacy tolerance: $\pm 5\%$ (applicable to all models).

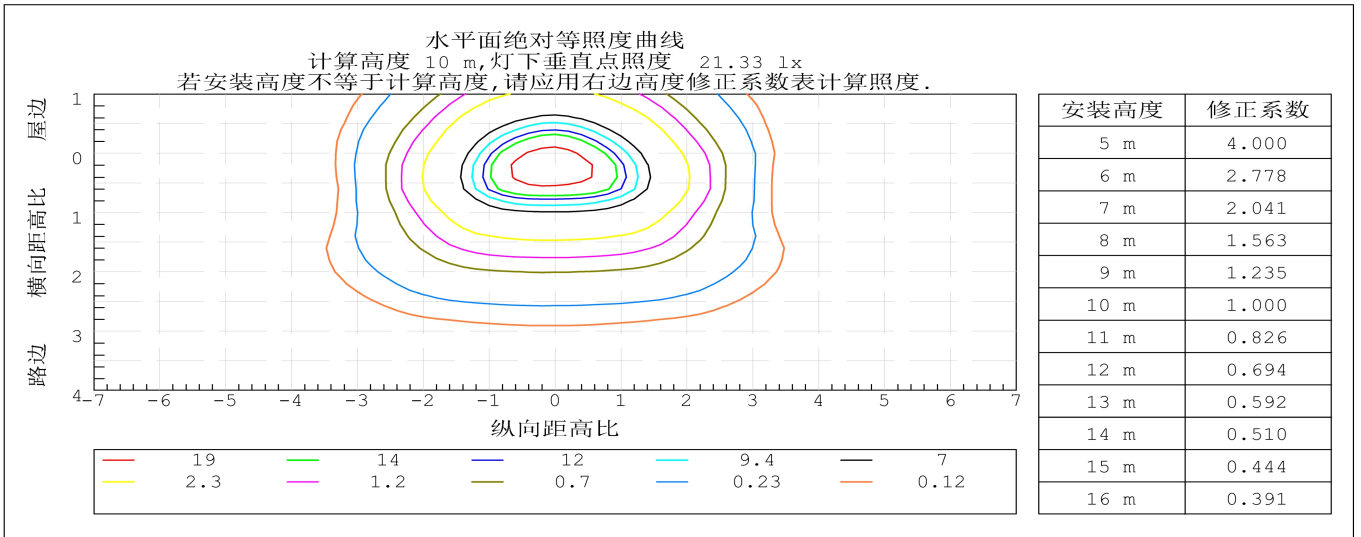
Light Distribution Diagram



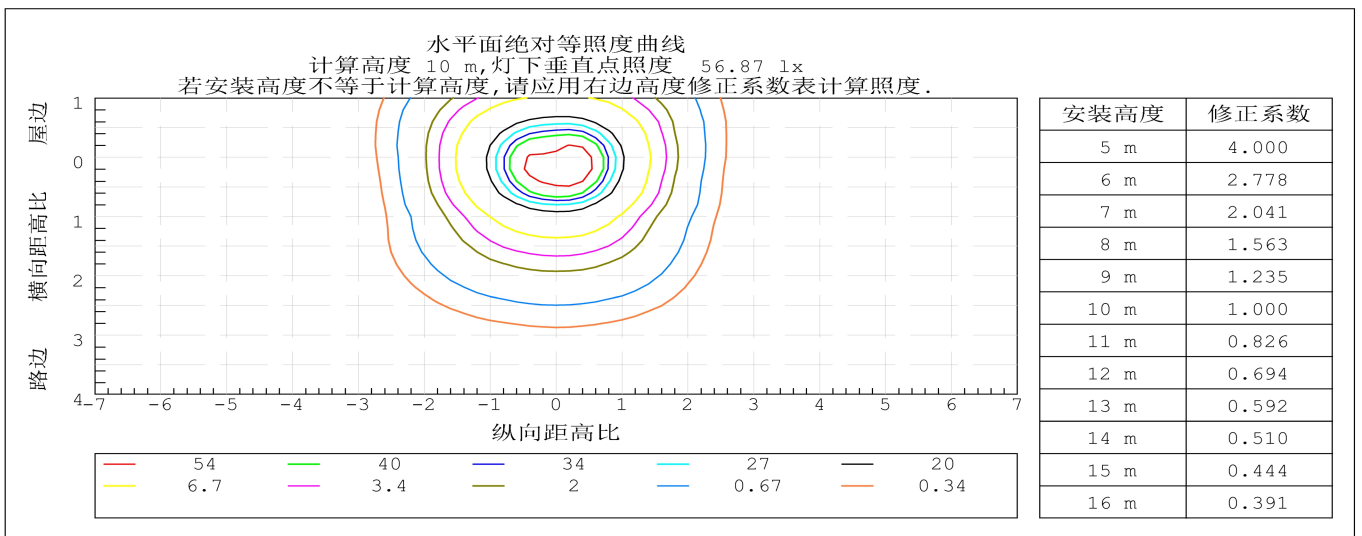
CP-SL-0035/0055/0080-E02S



CP-SL-0125-E02S



CP-SL-0035/0055/0080-E02S



CP-SL-0125-E02S

Precautions

1. This product must be installed by a professionally certified electrician. Please read carefully before installation.
2. Use the power voltage and current specified for the luminaire. Otherwise, irreparable damage may occur.
3. Connect the wires correctly as instructed. Ensure all connections are secure. Due to vibrations during transportation, all terminal screws must be thoroughly checked and tightened before operation to prevent loosening.
4. Operating environment: The luminaire must be used under normal conditions. If the environment exceeds allowable limits, the luminaire may malfunction and cause potential hazards.
5. Before maintenance, installation, or replacement, ensure the power supply is disconnected. Only switch on the power after confirming the luminaire is correctly installed. The use of this luminaire must not violate any fire safety regulations.
6. Installation and Use
 - (1) Avoid rough handling and installation. Do not lift or move the luminaire by pulling its power supply cables to prevent accidental drops or human-induced damage.
 - (2) Please ensure the power supply cables comply with the specified diameter range and possess temperature-resistant and flame-retardant properties.
 - (3) During normal operation, the luminaire poses no risk of releasing toxic or hazardous substances. In case of accidental damage or end-of-life disposal, it must be handled in accordance with local environmental regulations.

Warning

Do not disassemble the LED luminaire or loosen the screws on the LED light source without authorization, as this may impair the heat dissipation performance of the LED, reduce its lifespan, or even cause the light source to burn out.

If the lens, housing, or cable of the luminaire is damaged, cease use immediately.