

Specification

Company Name: _____

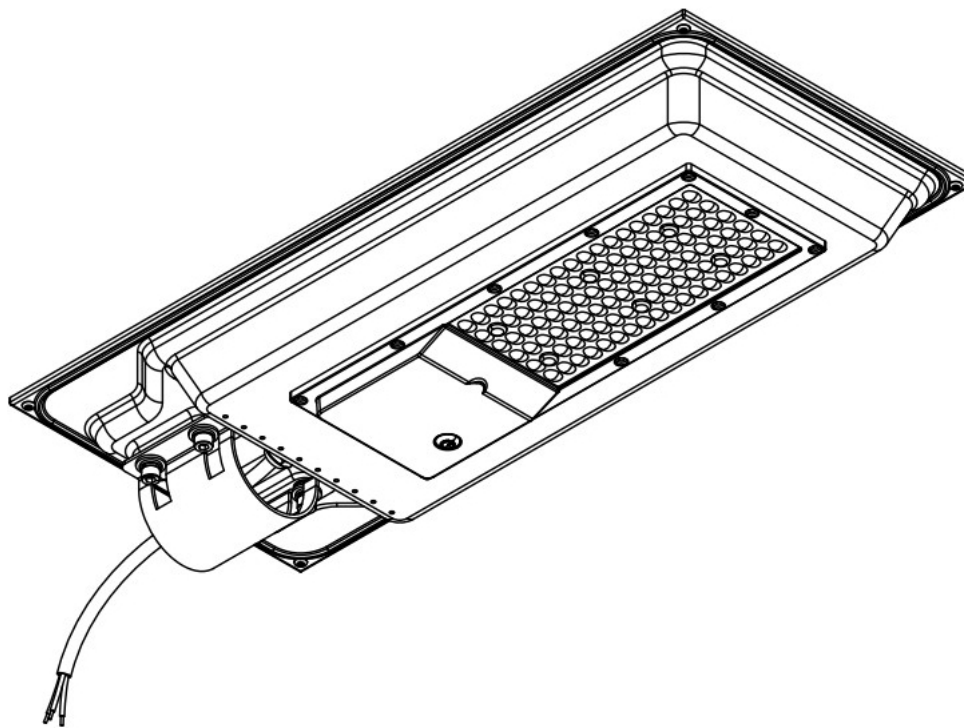
Productname: Electric Street Light-(Sunflower)

Productmodel: LD-CLX

Product Features

1. 40W/75W– Two power options available;
 2. It delivers much higher energy efficiency than conventional street lamps.
- Sturdy structure.
3. Professional light distribution for road lighting.
 4. Free of hazardous substances.
 5. Long service life, low maintenance and high return on investment.
 6. Compact housing design ensures excellent heat dissipation and less dust accumulation.
 7. Complete range of dedicated installation accessories.

Product Appearance



Application



Car Park



Parks and Green Spaces



Municipal Roads



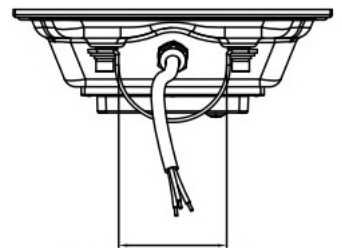
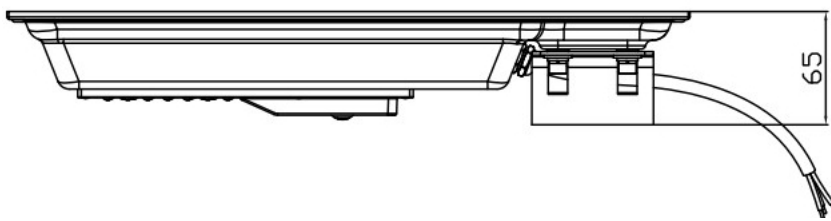
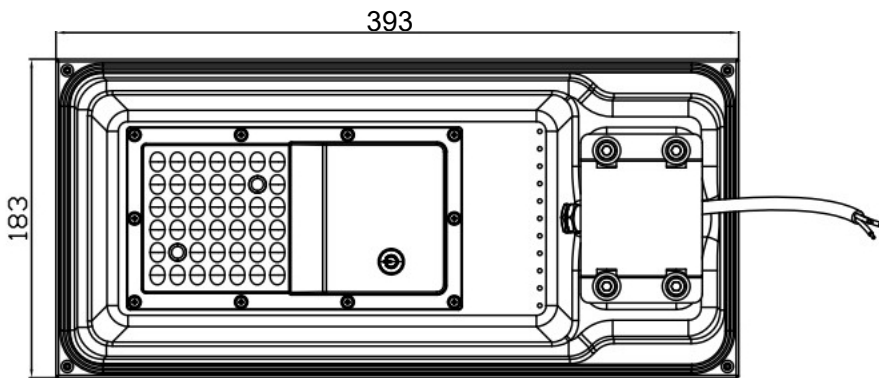
Residential Buildings and
Court yard Landscapes



Hotel & Resort Road

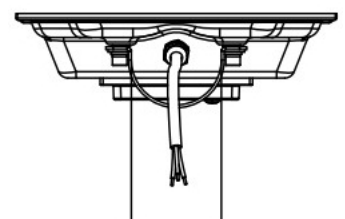
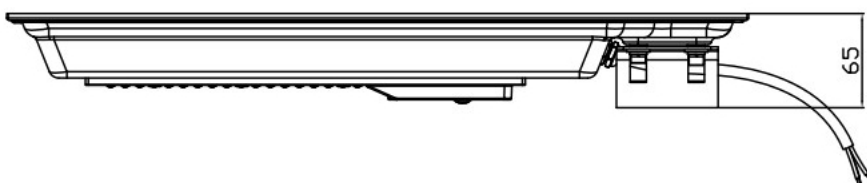
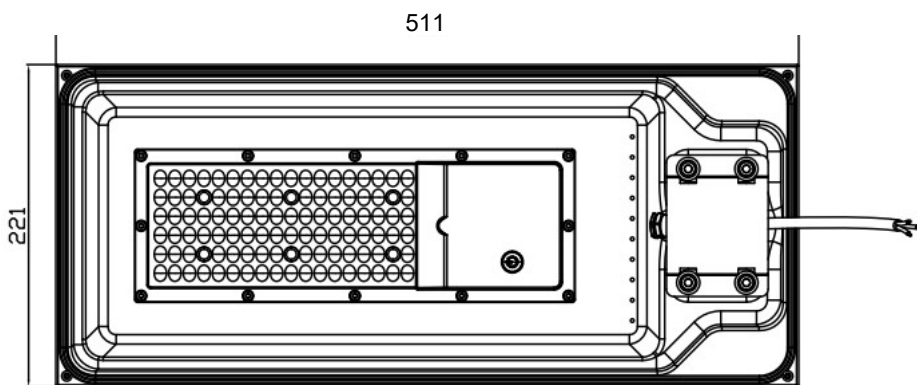
Specifications and Dimensions(mm)

40W



Adapted for a $\phi 60$ lamp arm

75 W



Adapted for a $\phi 60$ lamp arm

Product Parameters

Product model	LD-CLX-0040-N01S	LD-CLX-0080-N01S
Power rating	40W	75W
LED specifications	SMD2835	
Colour temperature	3000K/4000K/5000K/6500K	
Grading	70°*140°	75°*150°
Light flux(±5%)	4800lm	9000lm
Light Efficiency(±5%)	120lm/W	
CRI	Ra>80	
Rated voltage	AC180-265V 50/60Hz	
Power Factor	>0.9	
Electrical Category	Class I	
Lightning Protection Level	A 3KV line is connected to another 3KV line, or a 3KV line is connected to the ground.	
PowerSourceType	Constant-currentpowersupply	
With stand voltage	1.5KV 60S 10mA	
Power Efficiency	≥88%	
Start time	≤2S	
Recommended installation height	4m-6m	6m-8m
Colortolerance	≤7	
Upward optical flux ratio	0%	
Working temperature	-40℃-55℃	

※ For fixed Grade 1 luminaires, the over voltage protection device shall disconnect the circuit in accordance with IEC61643-11.

※ The luminaire switch must control either the L wire or both the Land N wires.

※ The measurement to lerran ce for Rais±2.

Product Parameters

Productmodel	LD-CLX-0040-N01S	LD-CLX-0080-N01S
Power rating	40W	75W
Working Humidity	10-90%RH	
Way to install	Arm-mounted/Rod-mounted	
Hull	Iron	
Lens	Polycarbonate material	
Surface preparation	Electrophoresis+Powder Spraying	
Pigment	Silver gray	
IP levels of protection	IP65	
Does it include power supply?	Yes	
Safety	Open-circuit protection+Short-circuit protection+Over load protection+Over temperature protection	
Internal Packaging Dimensions	L420*W190*H70	L540*W228*H70
External Packaging Dimensions	L435*W395*H305	L555*W475*H305
Number(boxes)	8	8
Volume(Box)	0.0524m ²	0.0804m ²
Net Weight(Box)	1.23kg	1.78kg
Rough weight	1.41kg	2kg
20-foot small cabinet	4,560sets	3,072sets
40-foot high cabinet	9,360sets	6,400sets

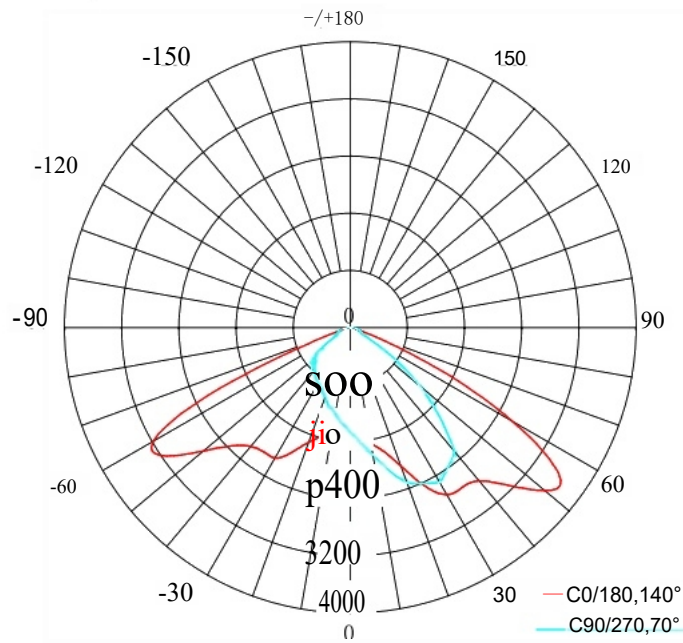
※Performance data for all models is tested under 230V AC and 4000 K.

※Power consumption tolerance is 5%(applicable to all models).

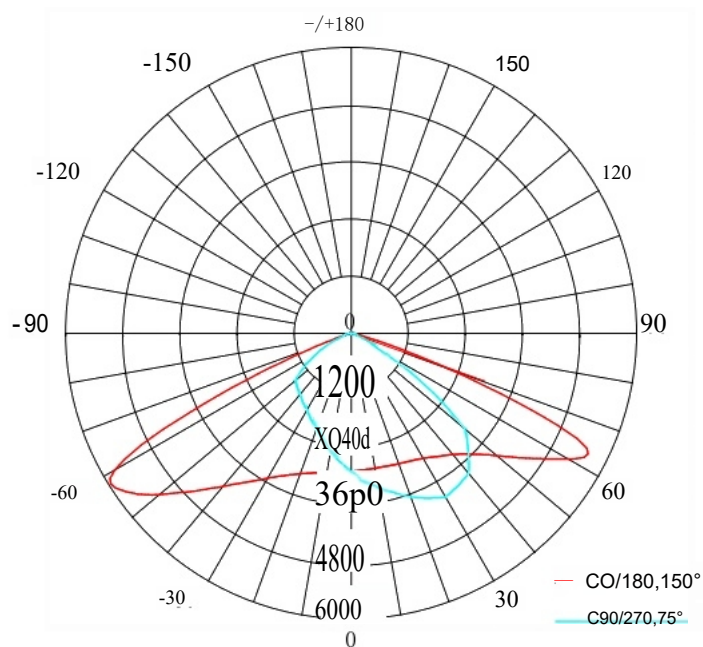
※Lumen efficiency to lerrance: 5%(applicable to all models)

Light Distribution Diagram

40W-70°*140°



75W-75°*150°



Precautions

1. This product must be installed by a certified electrician. Please read the instructions carefully before installation.
2. Use the specified power voltage and current for the lighting fixture; failure to do so may cause irreversible damage to the fixture.
3. Wiring: Connect the wires correctly as specified, ensuring all connections are securely tightened. During transportation due to vibration, to prevent screw loosening, conduct a thorough inspection of all wiring screws before lighting up the device.
4. Z type connection: If the external flexible cable or wire of the luminaire is damaged, it must be replaced by the manufacturer or a qualified engineer.
5. Grounding: Ensure the luminaire is properly grounded.
6. Operating Environment: The luminaire must be used in normal conditions. If the operating environment exceeds the permitted range, the luminaire may malfunction and potentially cause other injuries.
7. Before maintaining, installing, or replacing a lighting fixture, ensure the power supply is disconnected and that the fixture is properly installed before turning it on. The use of this fixture must comply with all fire safety regulations.
8. Install and Use
 - (1) Avoid rough handling or installation; do not lift the luminaire's power cord during movement or installation to prevent accidental damage from drops or other human interventions.
 - (2) Please note the diameter range of the inlet and its heat resistance and flame retardant properties.
 - (3) During normal use, there is no risk of toxic or hazardous substance leakage from the luminaire. In case of accidental damage or end-of-life, handle it in accordance with local environmental protection regulations.

Special Note Warning

- ※Unauthorized disassembly of the LED luminaire or removal of screws securing the LED light source is prohibited. Such actions will impair the heat dissipation of the LED source, shorten its service life, and may even burn out the light source.
- ※ Do not operate the luminaire if its lens, housing or cable is damaged.